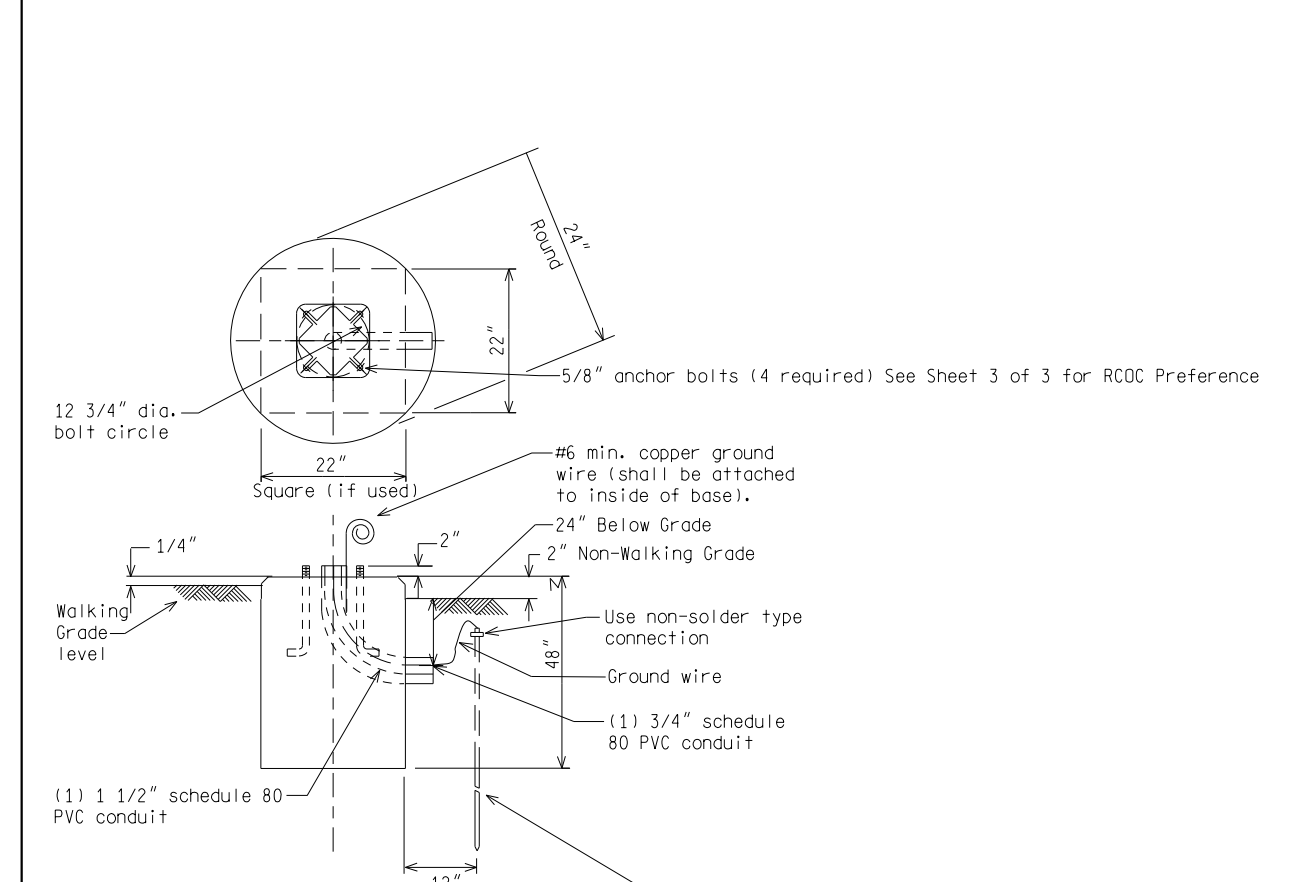


NOT TO SCALE

File: RefDoc/TR/Signals/Web/Sp Det/Fin/SIG070A.dgn Rev. 04/05/21

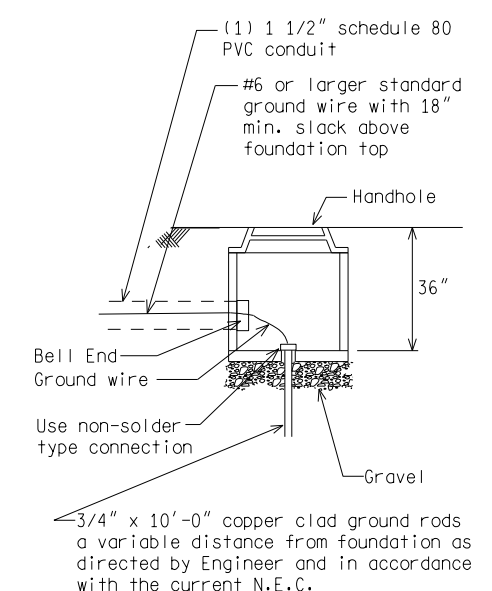
<p>MICHIGAN DEPARTMENT OF TRANSPORTATION BUREAU OF HIGHWAYS DELIVERY STANDARD PLAN FOR</p>	ENGINEER OF DELIVERY	<p>PEDESTAL FOUNDATION</p>	
	ENGINEER OF DEVELOPMENT		
<p>PREPARED BY TRAFFIC AND SAFETY</p>	(SPECIAL DETAIL)	<p>SIG-070-A</p>	<p>SHEET 1 of 3</p>
<p>DRAWN BY:</p> <p>CHECKED BY:</p>	FHWA APPROVAL DATE		



3/4"x10'-0" copper clad ground rod(s). (Ground rod(s) must be installed in handhole outside of fdn. (a min. of 12" from fdn.-6" below grade) or as directed by the Engineer.)

PEDESTAL FOUNDATION

See notes 1, 2 & 3 on sheet 3 of 3.

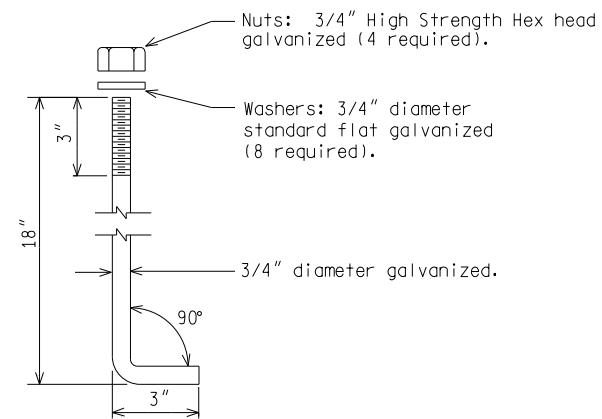


NOT TO SCALE

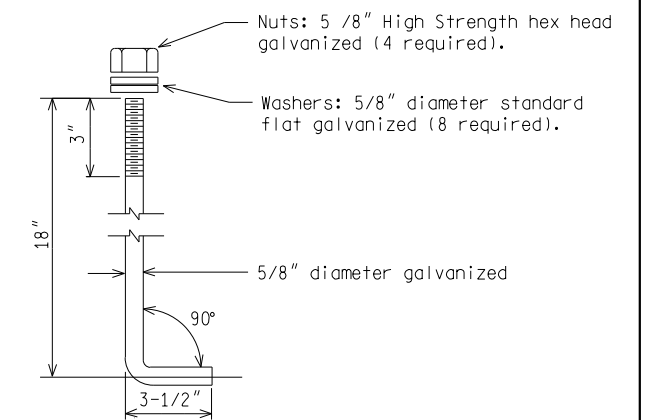
File: RefDoc/TR/Signals/Web/Sp Det/Fin/SIG070A.dgn Rev. 04/05/21

<p>MICHIGAN DEPARTMENT OF TRANSPORTATION BUREAU OF HIGHWAYS DELIVERY STANDARD PLAN</p>	(SPECIAL DETAIL)	<p>SIG-070-A</p>	<p>SHEET 2 of 3</p>
	FHWA APPROVAL DATE		
<p>PREPARED BY TRAFFIC AND SAFETY</p>	(SPECIAL DETAIL)	<p>SIG-070-A</p>	<p>SHEET 2 of 3</p>
<p>DRAWN BY:</p> <p>CHECKED BY:</p>	FHWA APPROVAL DATE		

FINAL ROW PLAN REVISIONS (SUBMITTAL DATE:)				NO SCALE				DATE:	CS:	DRAWING	SHEET
NO.	DATE	AUTH	DESCRIPTION	NO.	DATE	AUTH	DESCRIPTION	DESIGN UNIT:	JN:		SECT
								TSC:			



For use on MDOT Trunkline.



For use on Oakland County Roads only.

ANCHOR BOLT DETAIL

NOTE: Anchor bolts are to be ASTM-F1554 Grade 36 (Hot dipped galvanized)
(4-required)

NOTES:

- 1) Alternate foundation may be constructed 22"x22" square - 48" deep.
- 2) Grounding system shall measure 10 ohm or less to ground.
- 3) Construction joints not permitted in foundation.
- 4) Pedestal base must meet the requirements of National Cooperative Highway Research Program Report 350 (NCHRP 350) or Manual for Assessing Safety Hardware (MASH) and have Federal Highway Administration (FHWA) acceptance. Pedestal base must also be certified to have a 4-inch maximum stub height after the support has broken away from its base, as specified in the AASHTO Standard Specifications for Structural Supports for Highway Signs, Luminaries, and Traffic Signals and the AASHTO Roadside Design Guide.
- 5) Use the Octagonal Base as a preference by the Road Commission for Oakland County (RCOC), for use on Oakland County roads only.

NOT TO SCALE

MICHIGAN DEPARTMENT OF TRANSPORTATION BUREAU OF HIGHWAYS DELIVERY STANDARD PLAN	(SPECIAL DETAIL) FHWA APPROVAL DATE		SIG-070-A	SHEET 3 of 3
File: RefDoc/TR/Signals/Web/Sp Det/F in/SIG070A.dgn Rev. 04/05/21		PLAN DATE		

FINAL ROW PLAN REVISIONS				(SUBMITTAL DATE:)			
NO.	DATE	AUTH	DESCRIPTION	NO.	DATE	AUTH	DESCRIPTION



NO SCALE

DATE:	CS:	DRAWING	SHEET
DESIGN UNIT:	JN:		SECT
TSC:			
FILE:			